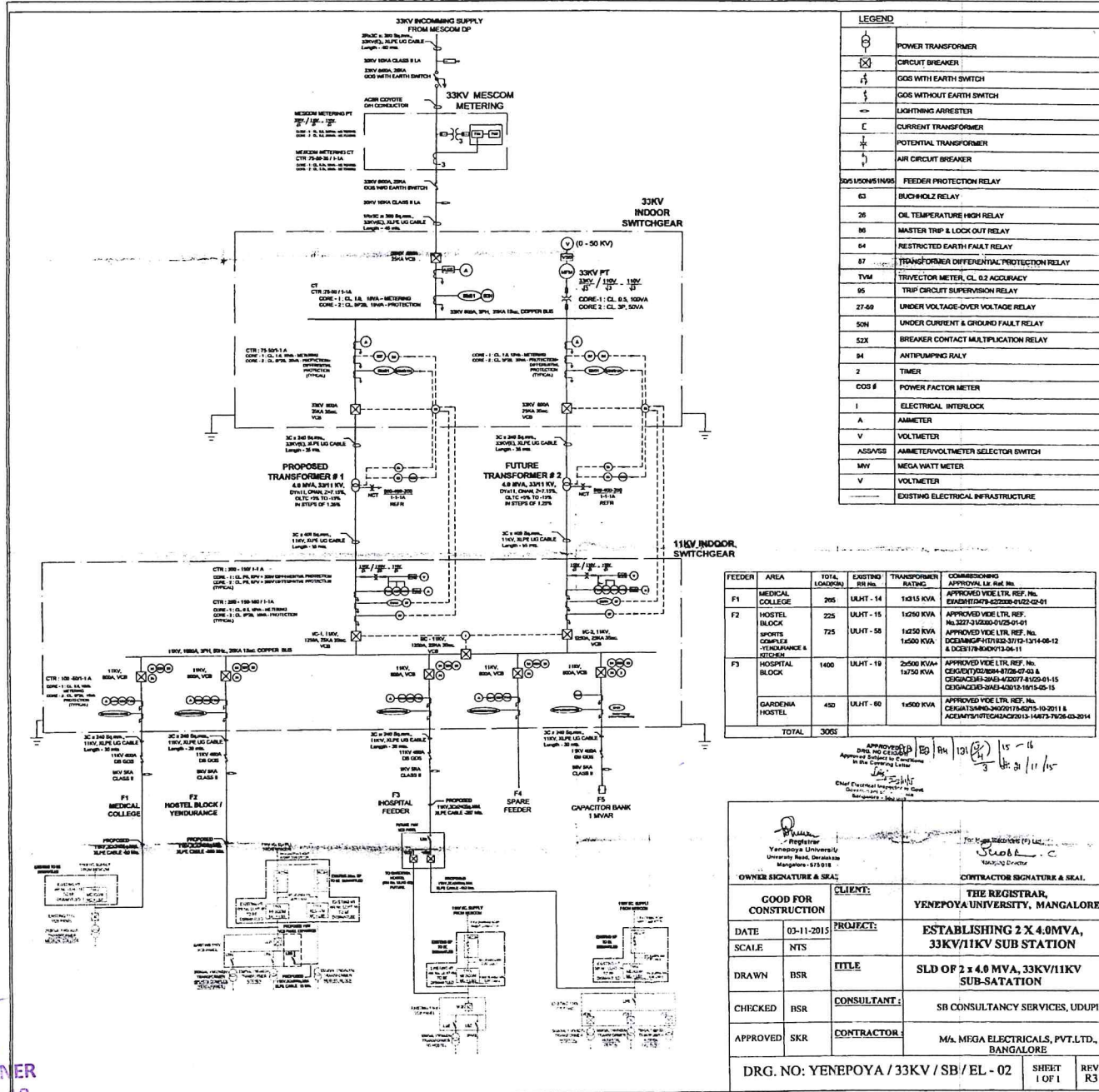


Blue Print for Wheeling to the grid



LEGEND

	POWER TRANSFORMER
	CIRCUIT BREAKER
	GOS WITH EARTH SWITCH
	GOS WITHOUT EARTH SWITCH
	LIGHTNING ARRESTER
	CURRENT TRANSFORMER
	POTENTIAL TRANSFORMER
	AIR CIRCUIT BREAKER
	FEEDER PROTECTION RELAY
	BUCHHOLZ RELAY
	OIL TEMPERATURE HIGH RELAY
	MASTER TRIP & LOCK OUT RELAY
	RESTRICTED EARTH FAULT RELAY
	TRANSFORMER DIFFERENTIAL PROTECTION RELAY
	TRIVECTOR METER, CL. 0.2 ACCURACY
	TRIP CIRCUIT SUPERVISION RELAY
	UNDER VOLTAGE-OVER VOLTAGE RELAY
	UNDER CURRENT & GROUND FAULT RELAY
	BREAKER CONTACT MULTIPLICATION RELAY
	ANTI-PUMPING RELAY
	TIMER
	POWER FACTOR METER
	ELECTRICAL INTERLOCK
	AMMETER
	VOLTMETER
	AMMETER/VOLTMETER SELECTOR SWITCH
	MEGA WATT METER
	VOLTMETER
	EXISTING ELECTRICAL INFRASTRUCTURE

FEEDER	AREA	TOTAL LOAD (KW)	EXISTING RM No.	TRANSFORMER RATING	COMMISSIONING APPROVAL No. Ref. No.
F1	MEDICAL COLLEGE	705	ULHT - 14	1425 KVA	APPROVED VIDE LTR. REF. No. EXASHT10479-02200-0122-02-01
F2	HOSTEL BLOCK	225	ULHT - 15	1425 KVA	APPROVED VIDE LTR. REF. No. HUS27102200-0125-01-01
	SPORTS COMPLEX YENDURANCE & KITCHEN	725	ULHT - 58	1425 KVA	APPROVED VIDE LTR. REF. No. DODANAGH11182-3711D-1314-08-12 & DOD18B00150K-11
F3	HOSPITAL BLOCK	1400	ULHT - 10	2550 KVA / 14750 KVA	APPROVED VIDE LTR. REF. No. CEGENCT1021004-8726-07-03 & CEGENCT1021004-422071-8102-01-15 & CEGENCT1021004-422071-8102-01-15
	GARDENA HOSTEL	450	ULHT - 60	14500 KVA	APPROVED VIDE LTR. REF. No. CEGENCT1021004-422071-8102-01-15 & ADEENCT1021004-422071-8102-01-15
TOTAL		3005			

APPROVED BY: [Signature] 15-16
 Date: 20/11/15
 Chief Electrical Engineer in Charge
 Mangalore - 575 018

REGISTERED Yeneppoya University University Road, Deralakatte Mangalore - 575 018		CONTRACTOR SIGNATURE & SEAL [Signature]	
OWNER SIGNATURE & SEAL [Signature]		THE REGISTRAR, YENEPPOYA UNIVERSITY, MANGALORE	
GOOD FOR CONSTRUCTION	CLIENT:	PROJECT: ESTABLISHING 2 X 4.0MVA, 33KV/11KV SUB STATION	
DATE: 03-11-2015	SCALE: NTS	TITLE: SLD OF 2 x 4.0 MVA, 33KV/11KV SUB-STATION	
DRAWN: BSR	CHECKED: BSR	CONSULTANT: SB CONSULTANCY SERVICES, UDUPI	
APPROVED: SKR	CONTRACTOR:	M/s. MEGA ELECTRICALS, PVT.LTD., BANGALORE	
DRG. NO: YENEPPOYA / 33KV / SB / EL - 02		SHEET 1 OF 1	REV R3

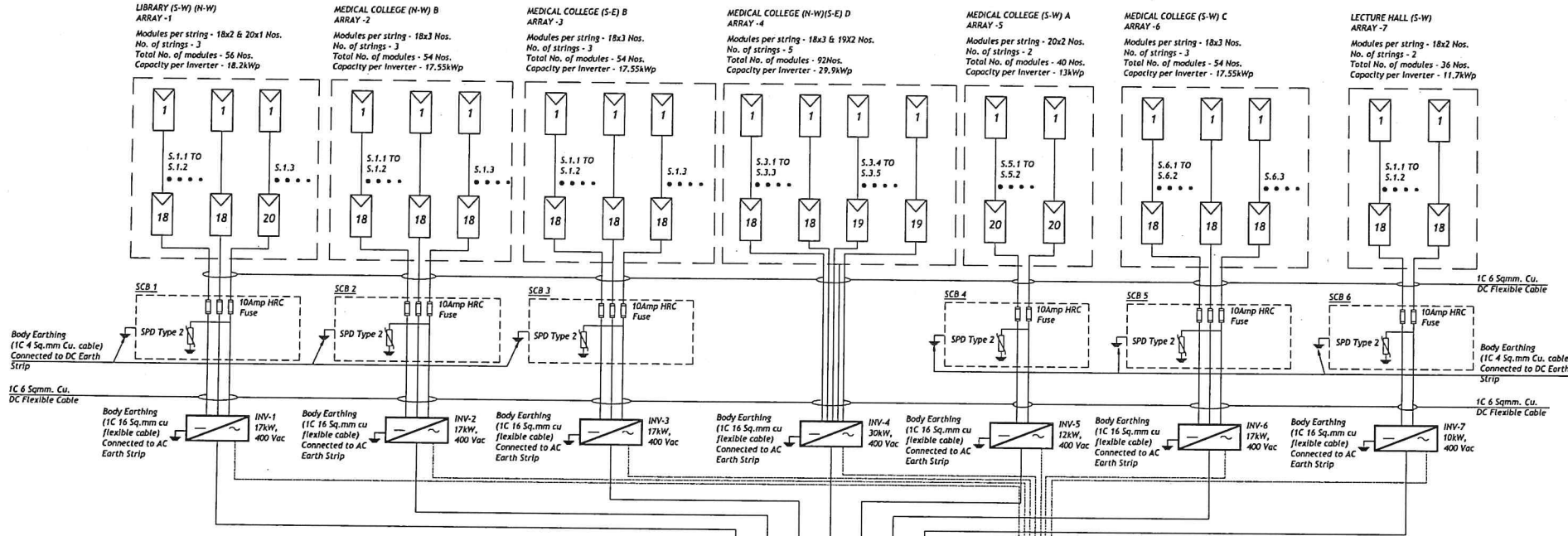
[Signature]
ARUBAKKAR D.C.E.
 LICENSING DESIGNER
 LBD / 107/BL/19/2017-18
 YMC / 107/BL/19/2017-18
 MANGALORE - 575 018

3
ATTESTED
[Signature]
Dr.Gangadhara Somayaji K.S.
 Registrar
 Yeneppoya(Deemed to be University)
 University Road, Deralakatte
 Mangalore-575 018, Karnataka

Blue Print for Solar energy

PROJECT SUMMARY:
 PLANT CAPACITY 125.45 kWp
 PV MODULE CAPACITY 233wp
 TOTAL NO. OF MODULES 384 Nos.
 PV MODULE DIMENSION 1970x90x15 mm
 SHED SLOPE 15°

NOTES:
 1) ALL DIMENSIONS ARE IN METERS, UNLESS OTHERWISE SPECIFIED.
 2) NO DIMENSION TO BE MEASURED FROM THIS DRAWING.
 3) MAJOR CHANGES CAN TAKE PLACE DURING DETAIL DESIGNING.



LEGENDS:

SYMBOL	DESCRIPTION
	PV MODULE (325 Wp)
	STRING INVERTER
	EARTH
	MCCB
	SURGE PROTECTION DEVICE
	CURRENT TRANSFORMER
	HRC FUSE

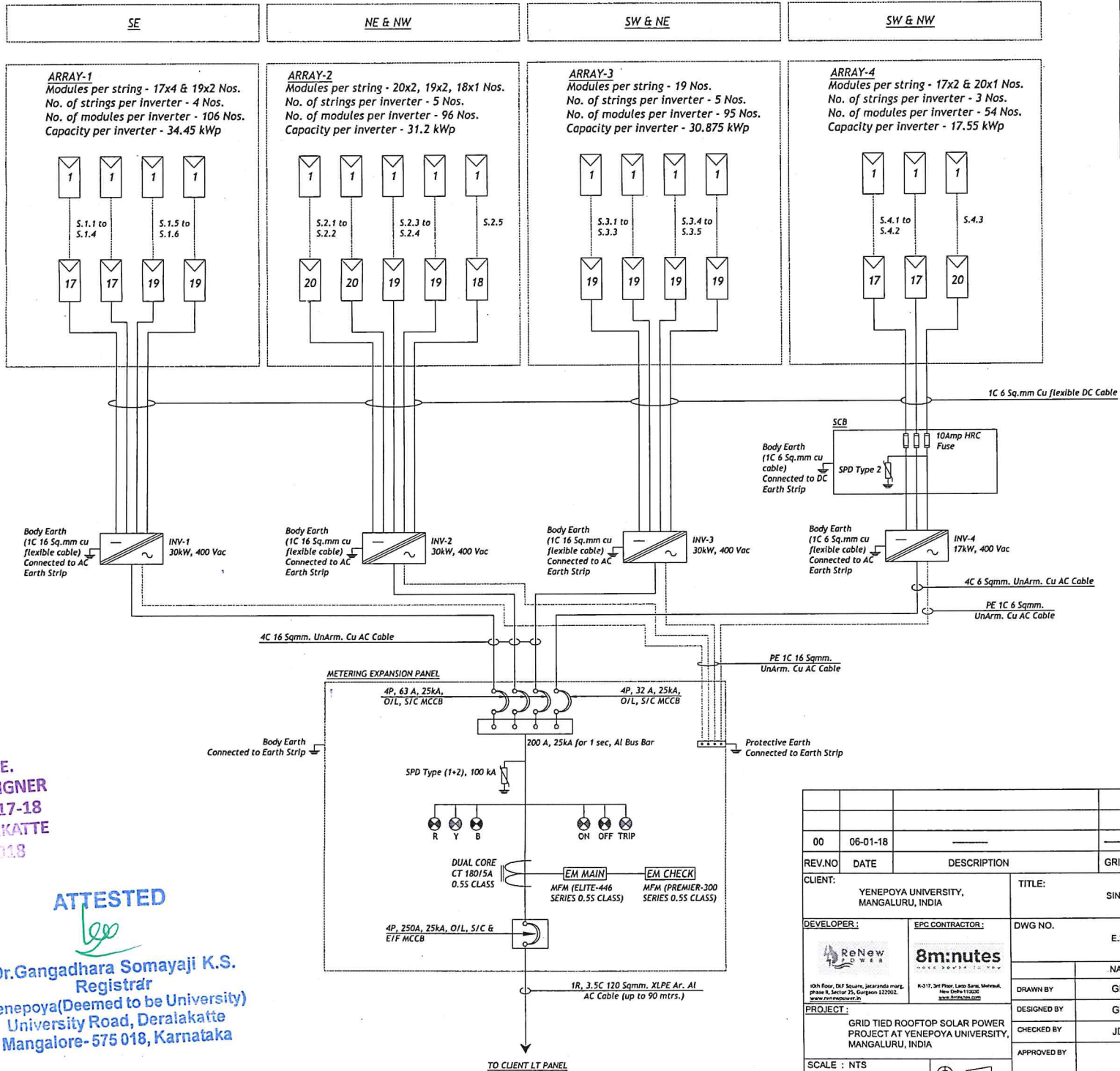
ISSUED FOR CONSTRUCTION
DATE:-21-02-2018

ABUBAKKAR D.C.E.
 LICENSED BUILDING DESIGNER
 LBD NO. KTK/BL/9/2017-18
 YMDC CAMPUS DERALAKATTE
 MANGALORE - 575 018

ATTESTED
Dr.Gangadhara Somayaji K.S.
 Registrar
 Yenepoya (Deemed to be University)
 University Road, Deralakatte
 Mangalore- 575 018, Karnataka

REV.NO	DATE	DESCRIPTION	GRID	REVISED BY	CHECKED BY	APPROVED BY
01	05-02-18	REVISED CAPACITY				
00	14-12-17					

CLIENT: YENEPOYA UNIVERSITY, MANGALURU, INDIA		TITLE: SLD	
DEVELOPER:	EPC CONTRACTOR:	DWG NO. E.2.1	
		NAME	DATE
PROJECT: GRID TIED ROOFTOP SOLAR POWER PROJECT AT YENEPOYA UNIVERSITY, MANGALURU, INDIA		DRAWN BY	SIGNATURE
SCALE: NTS		DESIGNED BY	DATE
SHEET: 01 OF 01		CHECKED BY	DATE
		APPROVED BY	
		LOCATION: 12.812288,74.8801973	



LEGENDS:

SYMBOL	DESCRIPTION
	PV MODULE (325 Wp)
	STRING INVERTER
	EARTH
	MCCB
	SURGE PROTECTION DEVICE
	CURRENT TRANSFORMER

Aban
ABUBAKKAR D.C.E.
 LICENSED BUILDING DESIGNER
 LBD NO. KTB/BL/19/2017-18
 YMDC CAMPUS, DERALAKATTE
 MANGALURU - 575 018

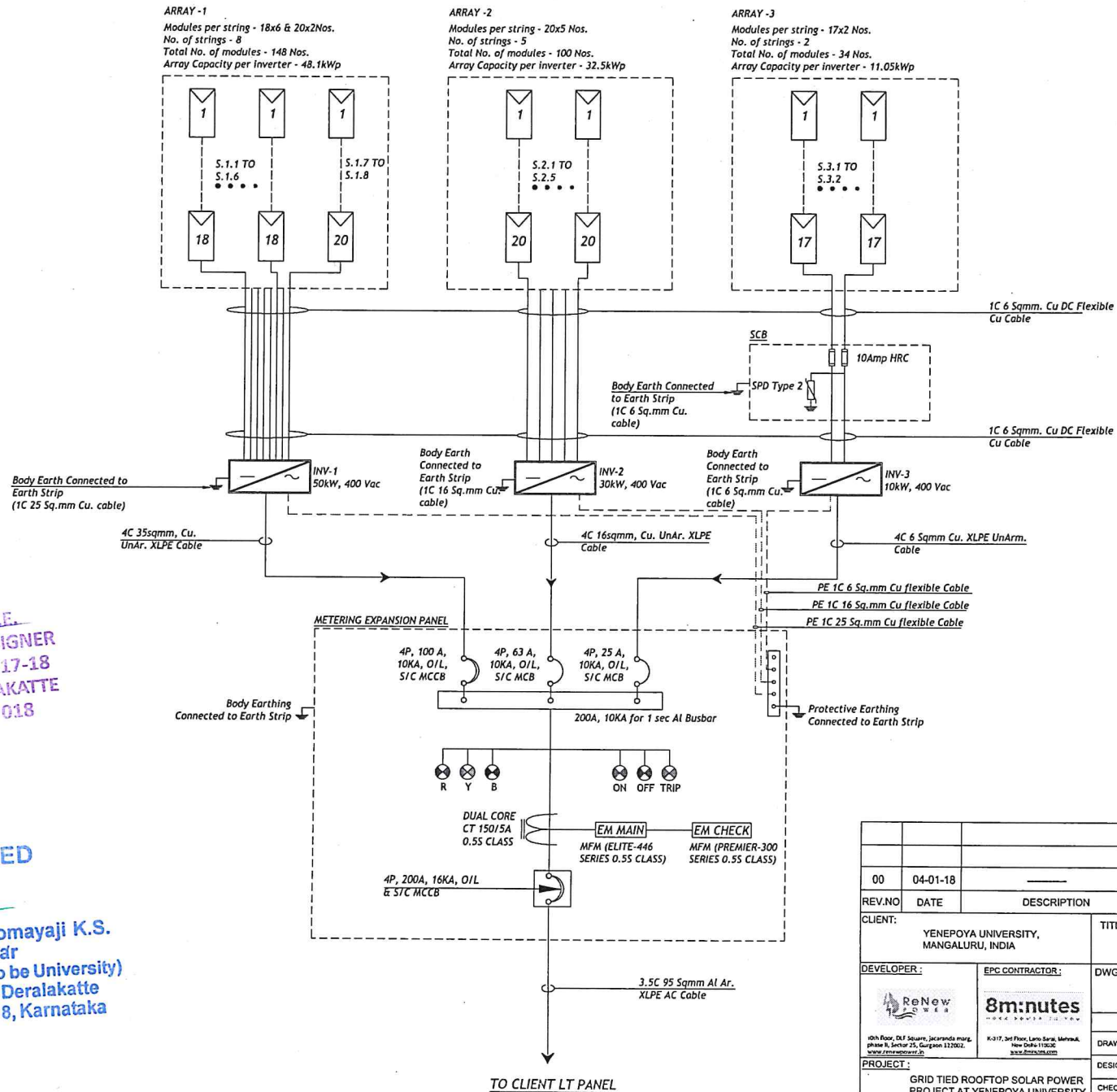
ATTESTED
leo
Dr. Gangadhara Somayaji K.S.
 Registrar
 Yenepoya (Deemed to be University)
 University Road, Deralakatte
 Mangalore - 575 018, Karnataka

ISSUED FOR CONSTRUCTION
 DATE: 21-02-2018

REV. NO	DATE	DESCRIPTION	GRID	REVISED BY	CHECKED BY	APPROVED BY
00	06-01-18					
CLIENT: YENEPOYA UNIVERSITY, MANGALURU, INDIA			TITLE: SINGLE LINE DIAGRAM			
DEVELOPER:		EPC CONTRACTOR:		DWG NO. E.2.1		
				DRAWN BY: GK		
PROJECT: GRID TIED ROOFTOP SOLAR POWER PROJECT AT YENEPOYA UNIVERSITY, MANGALURU, INDIA		DESIGNED BY: GK		DATE: 06-01-18		
SCALE: NTS		CHECKED BY: JD		DATE: 06-01-18		
SHEET: 04 OF 04		APPROVED BY:		SIGNATURE		
LOCATION: 12.612288,74.8801973						

PROJECT SUMMARY:
 PLANT CAPACITY 91.68 kWp
 PV MODULE CAPACITY 325Wp
 TOTAL NO. OF MODULES 282 NOS.
 PV MODULE DIMENSION 1770x700x15 MM
 SHED SLOPE 9°

SYMBOL	DESCRIPTION
	PV MODULE (325 Wp)
	INVERTER
	GROUND / EARTH
	MCB
	HRC FUSE
	SURGE PROTECTION DEVICE



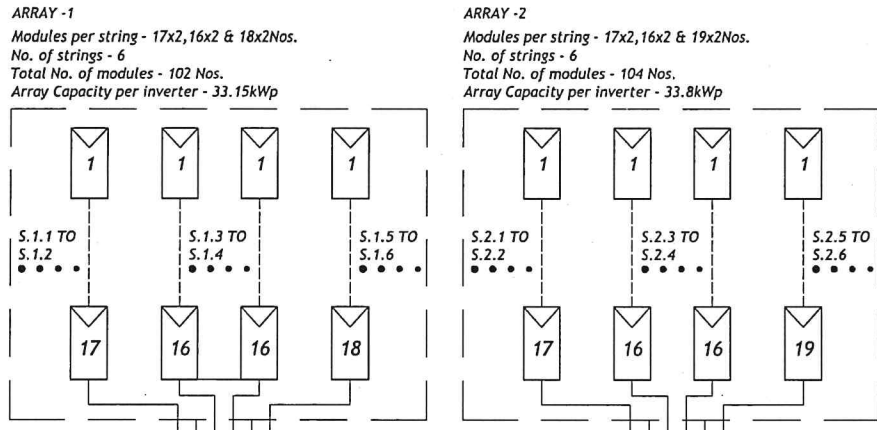
ABHAYAR D.C.E.
 LICENSED BUILDING DESIGNER
 LBD NO. KTK/BL/35/2017-18
 YMDC CAMPUS DERALAKATTE
 MANGALORE - 575 018

ATTESTED

Dr.Gangadhara Somayaji K.S.
 Registrar
 Yenepoya(Deemed to be University)
 University Road, Deralakatte
 Mangalore-575 018, Karnataka

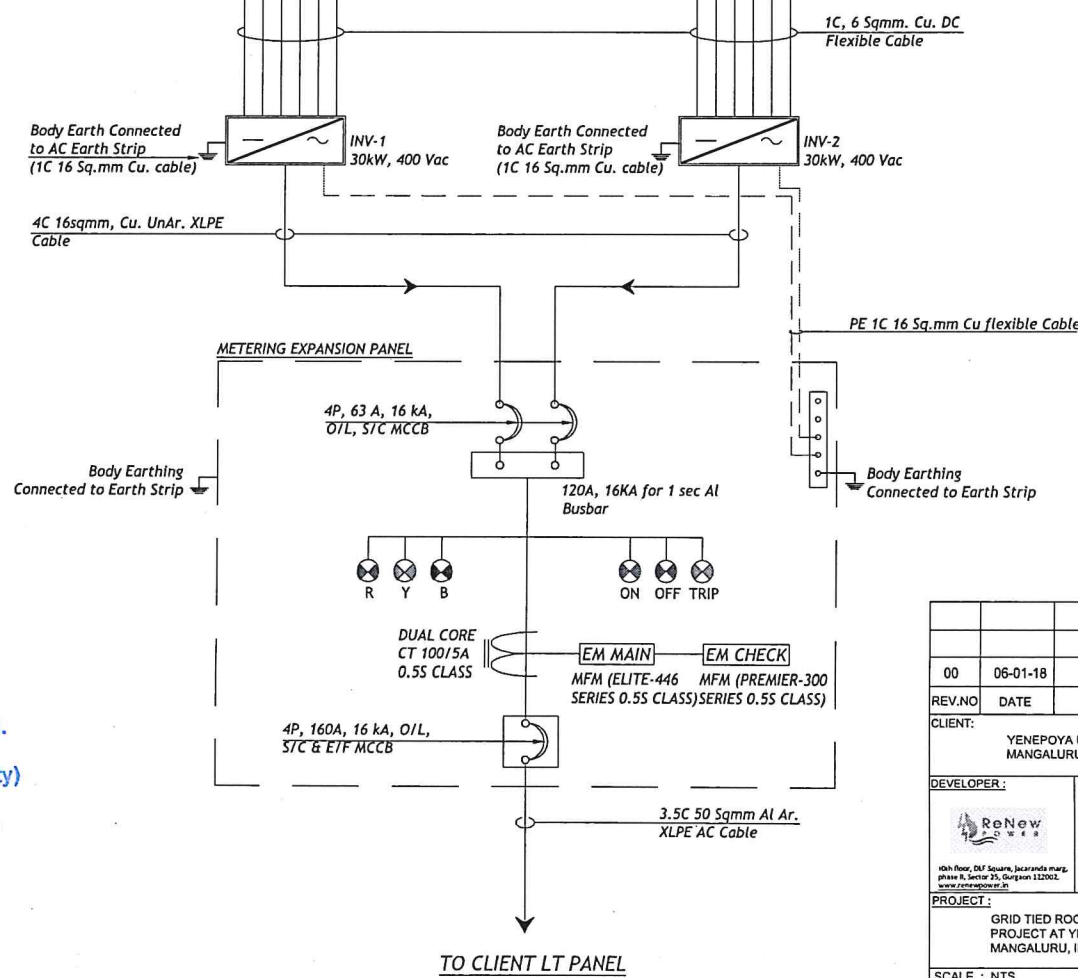
ISSUED FOR
 CONSTRUCTION
 DATE:-21-02-2018

REV.NO	DATE	DESCRIPTION	GRID	REVISED BY	CHECKED BY	APPROVED BY
00	04-01-18					
CLIENT: YENEPOYA UNIVERSITY, MANGALURU, INDIA			TITLE: SLD			
DEVELOPER:			DWG NO. E.2.1			
EPC CONTRACTOR:			NAME: BS			
PROJECT: GRID TIED ROOFTOP SOLAR POWER PROJECT AT YENEPOYA UNIVERSITY, MANGALURU, INDIA			DATE: 04-01-18			
SCALE: NTS			SIGNATURE			
			DRAWN BY: BS			
			DESIGNED BY: GK			
			CHECKED BY: JD			
			APPROVED BY:			



LEGENDS:

SYMBOL	DESCRIPTION
[Symbol]	PV MODULE (125 Wp)
[Symbol]	INVERTER
[Symbol]	GROUND / EARTH
[Symbol]	MCCB
[Symbol]	MFC FUSE
[Symbol]	SURGE PROTECTION DEVICE



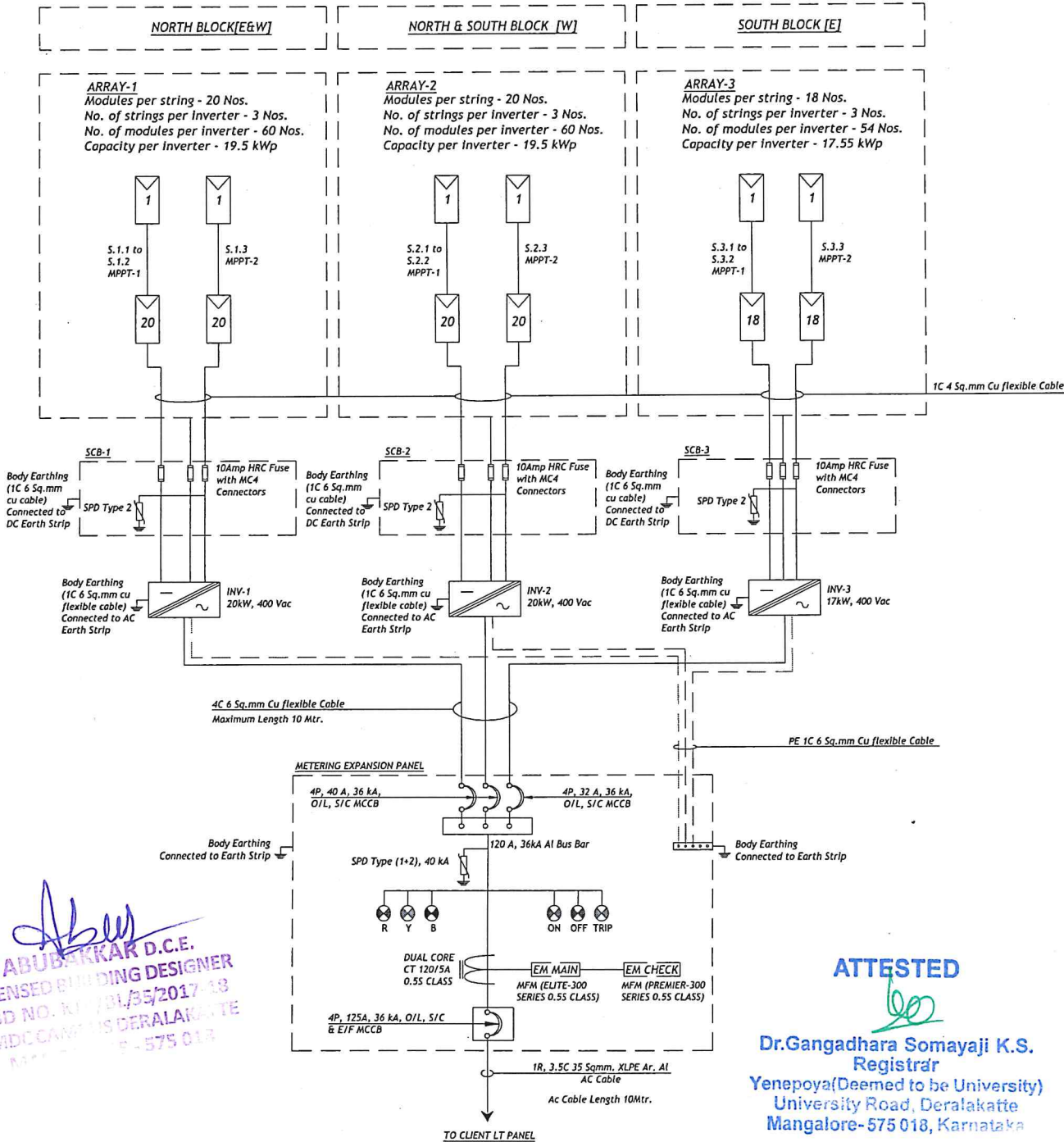
ISSUED FOR CONSTRUCTION
 DATE:-21-02-2018

Abub
ABUBAKKAR D.C.E.
 LICENSED BUILDING DESIGNER
 LBD NO. KTK/6/2019-017-18
 YIMDCAMPUS 17, ALAPATTE
 MANGALORE - 575013

ATTESTED
leb
Dr.Gangadhara Somayaji K.S.
 Registrar
 Yenepoya(Deemed to be University)
 University Road, Deralakatte
 Mangalore-575 018, Karnataka

00	06-01-18																			
REV.NO	DATE	DESCRIPTION	GRID	REVISED BY	CHECKED BY	APPROVED BY														
CLIENT: YENEPOYA UNIVERSITY, MANGALURU, INDIA			TITLE: SLD																	
DEVELOPER:		EPC CONTRACTOR:		DWG NO. E.2.1																
 <small>10th floor, DLF Square, Jcaramda marg, phase II, Sector 29, Gurgaon 122002. www.renewpower.in</small>		 <small>K-317, 3rd Floor, Laxo Sams, Marwa, New Delhi 110002. www.8mnotes.com</small>		<table border="1"> <thead> <tr> <th>NAME</th> <th>DATE</th> <th>SIGNATURE</th> </tr> </thead> <tbody> <tr> <td>DRAWN BY: BS</td> <td>06-01-18</td> <td></td> </tr> <tr> <td>DESIGNED BY: BS</td> <td>06-01-18</td> <td></td> </tr> <tr> <td>CHECKED BY: JD</td> <td>06-01-18</td> <td></td> </tr> <tr> <td>APPROVED BY:</td> <td></td> <td></td> </tr> </tbody> </table>		NAME	DATE	SIGNATURE	DRAWN BY: BS	06-01-18		DESIGNED BY: BS	06-01-18		CHECKED BY: JD	06-01-18		APPROVED BY:		
NAME	DATE	SIGNATURE																		
DRAWN BY: BS	06-01-18																			
DESIGNED BY: BS	06-01-18																			
CHECKED BY: JD	06-01-18																			
APPROVED BY:																				
PROJECT: GRID TIED ROOFTOP SOLAR POWER PROJECT AT YENEPOYA UNIVERSITY, MANGALURU, INDIA																				
SCALE : NTS																				

LADIES HOSTEL - ANNEX BLOCK



PROJECT SUMMARY:
 PLANT CAPACITY 81.75 kWp
 PV MODULE CAPACITY 233kWp
 TOTAL NO. OF MODULES 190 NOS.
 PV MODULE DIMENSION 1700X700X35 MM
 SHED SLOPE 9°

LEGENDS:

SYMBOL	DESCRIPTION
[PV Module Symbol]	PV MODULE (173 Wp)
[Inverter Symbol]	INVERTER
[Ground Symbol]	GROUND / EARTH
[MCB Symbol]	MCB
[HRC Fuse Symbol]	HRC FUSE
[Surge Protection Symbol]	SURGE PROTECTION DEVICE

NOTES:
 1) ALL DIMENSIONS ARE IN METER, UNLESS OTHERWISE SPECIFIED
 2) NO DIMENSION TO BE MEASURED FROM THIS DRAWING
 3) MINOR CHANGES CAN TAKE PLACE DURING DETAIL DESIGNING.

ISSUED FOR APPROVAL
 DATE:-23-05-2018

Abubakar D.C.E.
ABUBAKKAR D.C.E.
 LICENSED BUILDING DESIGNER
 LBD NO. K1/181/BS/2017-18
 YMDCCANVTIS DERALAKATTE
 MANGALORE - 575 018

ATTESTED
Dr. Gangadhar Somayaji K.S.
Dr. Gangadhar Somayaji K.S.
 Registrar
 Yenepoya (Deemed to be University)
 University Road, Deralakatte
 Mangalore-575 018, Karnataka

00	23-05-18					
REV. NO	DATE	DESCRIPTION	GRID	REVISED BY	CHECKED BY	APPROVED BY
CLIENT: YENEPOYA UNIVERSITY, MANGALURU, INDIA			TITLE: SLD (LADIES HOSTEL)			
DEVELOPER: ReNew Power		EPC CONTRACTOR: 8m:nutes		DWG NO. E.2.1		
DRAWN BY: BS		DATE: 23-05-18		SIGNATURE		
DESIGNED BY: BS		DATE: 23-05-18		APPROVED BY		
CHECKED BY: GK		DATE: 23-05-18		APPROVED BY		
PROJECT: GRID TIED ROOFTOP SOLAR POWER PROJECT AT YENEPOYA UNIVERSITY, MANGALURU, INDIA			LOCATION: 12.812288,74.8801973			
SCALE: NTS			SHEET: 01 OF 01			